

INSTALLATION
MANUAL



Share a passion for wood...

Exterior wall
cladding

Planchers  Bellefeuille

EXTERIOR WALL CLADDING INSTALLATION MANUAL



Before beginning to install Planchers Bellefeuille exterior wall siding, the consumer must make sure to carefully read all following instructions to ensure full understanding of the requirements and steps to be followed for proper installation.

WARNINGS

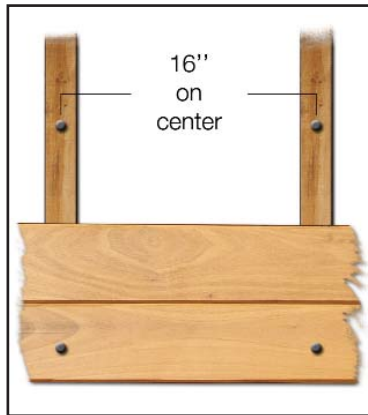
In case of doubt as to the quality of the product, do not install it. The warranty will cover the replacement of defective products only if such products have not been installed or otherwise altered.

Before proceeding with the installation, you must inspect your products to make sure that they are compliant in terms of species, dimensions, color and quantity. If you are satisfied, let the wood acclimatize for a period of 72 hours on the site where it will be installed. It should not be left in direct contact with the ground: leaving a space of at least 6-inches under the product is essential so as to allow for air circulation. It is recommended that the product be protected during storage.

It is important to understand, that in spite of its great dimensional stability, torrefied wood is put to use in very variable atmospheric and humidity conditions, while its humidity level is between 3% and 5%. Swelling (expansion) of the wood is therefore to be expected, hence a required minimum gap between boards.

The siding boards received show great variation in color from one board to the next. Board distribution is very important for shade highlights as it will enhance the beauty of the final result. Rain and sunlight can increase the fading of the coating. To maximize the beauty of the wood, it may be necessary to apply a finish depending on exposure and your tolerance to color variations. Please refer to the care and maintenance section.

Failure to comply with any of these requirements will result in void warranty.

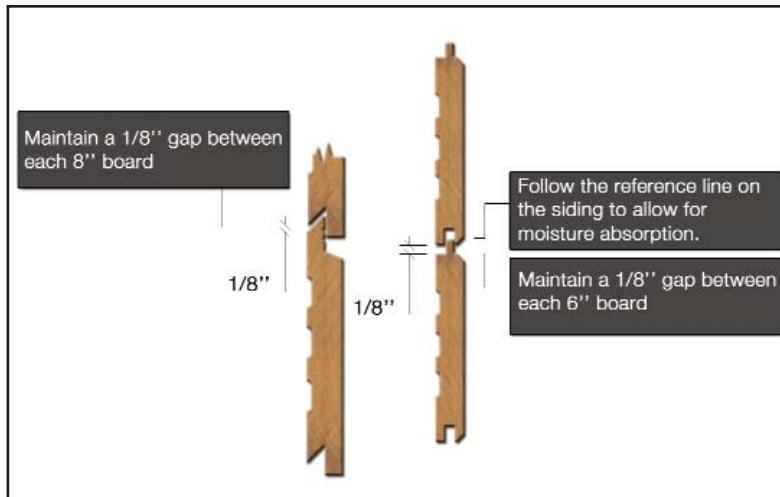


STEP 1: WALL PREPARATION

- Seal the wall and openings against water.
- Siding boards must be installed on 1" x 3" (25 mm x 76 mm) dry (KD) furring strips.
- For horizontal installation, the furring strips must be installed at a 16-inch distance.
- For vertical or diagonal installation, the furring strips must be doubled. Install a first row vertically at a 16-inch distance, with a second row placed horizontally at a distance of 12 inches.
- Battening must allow for a 3/4" ventilation gap; vertical air circulation is required.
- Never install the siding in direct contact with the ground. A minimum 8" distance is required.

STEP 2: START INSTALLING

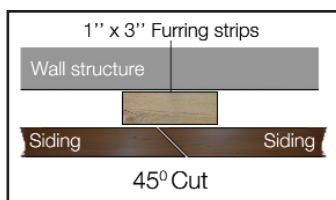
- Plan board distribution on the walls so as to minimize the number of joints.
- Siding boards are delivered in lengths and the ends must be trimmed to ensure neat and proper joints. Trimming must be made at a 45° angle and it is mandatory that the cuts be sealed with the coating provided with the siding.



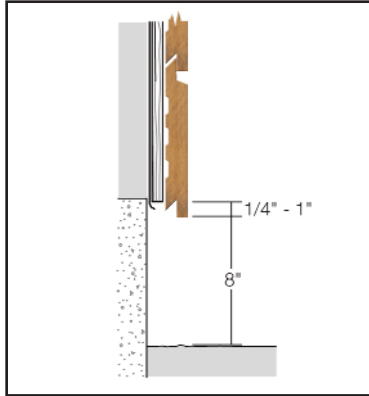
- Joints are to be made vis-à-vis the furring strips and must not be placed on the same furring strips on two consecutive rows.

- All our siding boards are designed for a fasten-free tongue and groove appearance.

- Using stainless steel staples is a must. Minimum 1/4" (6 mm) wide and 1 1/2" (38 mm) long staples are recommended. Wider staples are also acceptable.



- For mouldings, use 2" (51 mm) stainless steel nails.



STEP 3: FIRST ROW

- For adequate water drainage, the bottom of the siding boards should protrude by at least $\frac{1}{4}$ " (6 mm) under the bottom of the furring strips.

The siding boards should be installed at least 8 " (203 mm) above ground level. It is important to use a leveller to make sure that the first row is properly aligned.

STEP 4: INTERMEDIATE ROWS

- Board alignment should be checked frequently.



- Do not install the boards tight to each other, but leave a gap of approximately $\frac{1}{8}$ " between the rows to allow for board expansion.
- Two lines can be seen on the male portion of our 6 " square profile. The bottom line is used as an aligning guide to leave a $\frac{1}{8}$ " gap between the boards, and the top line is a nailing guide.

STEP 5: MOULDINGS

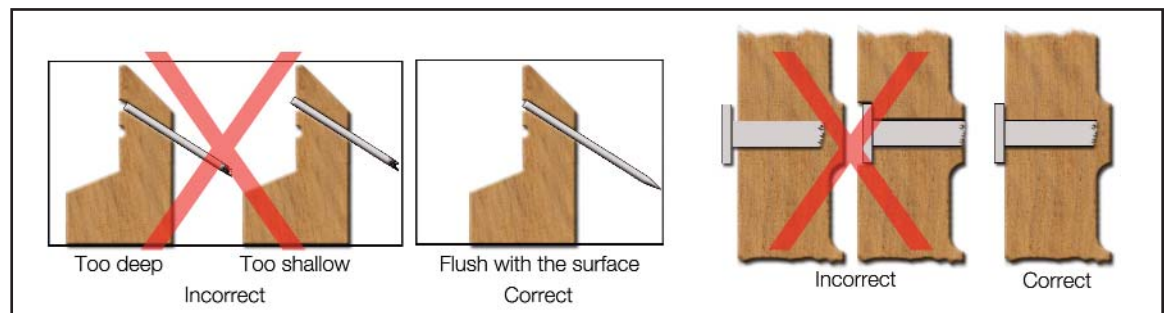
- The installation of mouldings is recommended for a neat finish and should be installed on the siding. Stainless steel nails at 16 " intervals are recommended. Leave a $\frac{3}{4}$ " to 1 " distance to the edge of the moulding.

STEP 6: COATING AND PROTECTIVE TREATMENT AGAINST UV-RAYS

- A coating should be applied in order to preserve the beauty of torrefied wood. As any kind of wood, torrefied wood will turn grey with exposure to sunlight.
- Woodplus coatings are very beneficial to torrefied wood. There is no warranty on coating if it is not factory-applied by a Planchers Bellefeuille-appointed company.
- Woodplus semi-translucent coatings are guaranteed for a period of three (3) years against abnormal cracking, peeling or flaking on wood.
- All board joints must be sealed with this coating prior to being installed.
- Use a sealant on window and door frames and permanent contact areas/mouldings. The sealant should be applied on the surface of the siding, on contact areas.

CARE AND MAINTENANCE

- As for any exterior wall cladding, dirt build-up may occur. Regular cleaning may be required. Simply use a water hose or a gentle cleanser. Do not use a pressure washer or a solvent.
- The siding will fade with time. It is recommended that a semi-translucent coating be applied every 2-3 years. A more pronounced discoloration is normal on more exposed walls.



FASTENERS

All our siding profiles allow assembly without any visible fasteners. A staple attached through the tongue should be sufficient.

Staples:

- Use stainless steel staples at all time.
- Staples should be a 18 gauge and a minimum of ¼" (6mm) wide and 1½" (38mm) long. Staples are installed at a 30° angle from horizontal into the siding's tongue.

Nails:

- For the mouldings, use 18 gauge, 2" (51 mm) stainless steel annular ring shank nails.

The use of galvanized steel fasteners can be subjected to chemical reactions that can cause the fasteners to oxidize and potentially produce black stains on the siding.

Partageons la passion du bois...

Planchers  Bellefeuille

450 Boul. Roland Godard, Saint-Jérôme, QC, J7Y 4G8

T. 450.431.1643

F. 450.431.0618